



C - PS



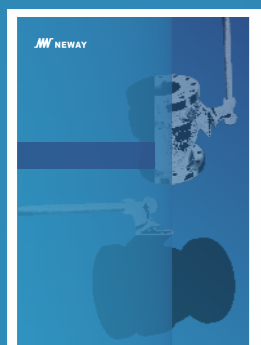
C - GGC



C - FSV



C - TMBV



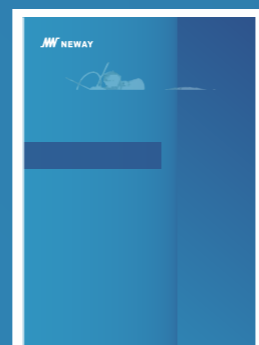
C - FBV



C - CBV



C - MMBV



C - FWBV



C - BFV



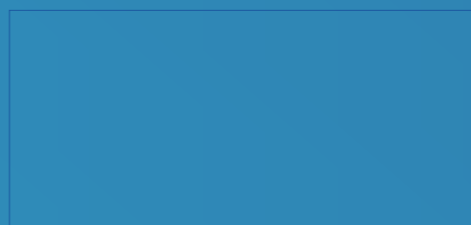
C - DOV



C - TOV

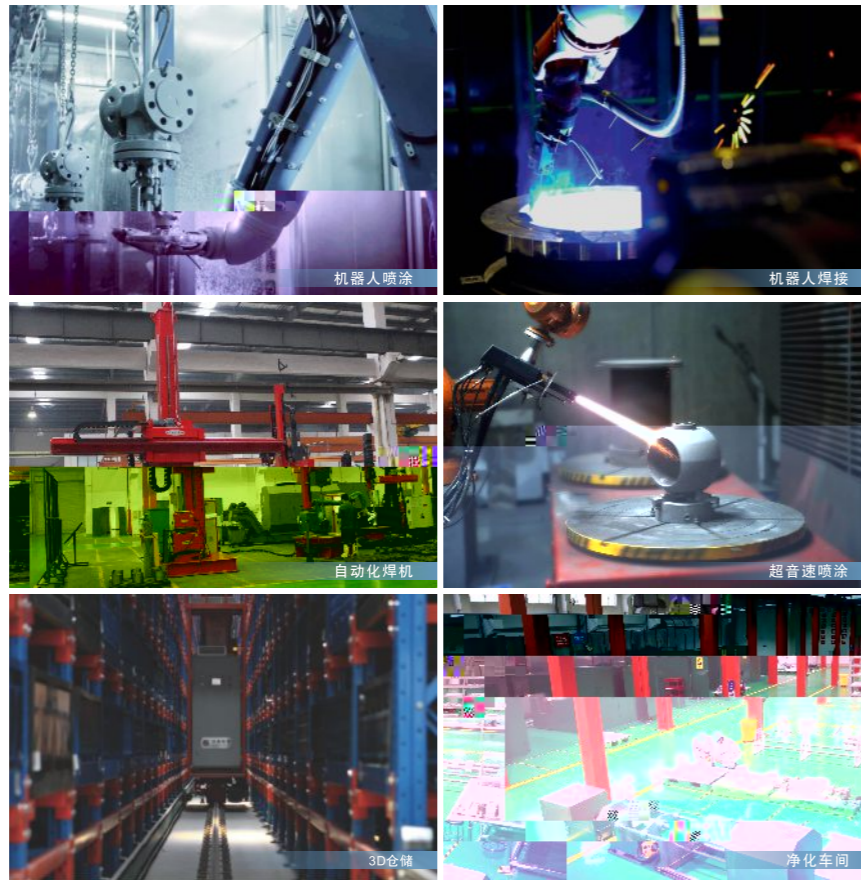


C - CPS



先进的制造技术

最新的计算机技术也已被广泛地应用于纽威的阀门制造。这包括拥有一大批数控加工车床(如:加工中心、CNC卧式车床和立式车床以及CNC钻孔车床)和ERP制造资源集成管理系统,并且,纽威各工厂之间的数据全部由光缆互联共享,这就使得我们便于有效地集中制造资源,提高生产效率,同时也有效地改善了我们的加工质量和过程控制。



质量控制

PM



①

in	2	2-1/2	3	4	5	6	8	10	12	14
mm	50	65	80	100	125	150	200	250	300	350
in	16	18	20	24	28	30	32	36	40	48
mm	400	450	500	600	700	750	800	900	1000	1200

③

	1	3	6
	150	300	600

⑤

G	
M	
P	
H	

②

TB	
TBT	PTFE
TBF	PTFE+

④

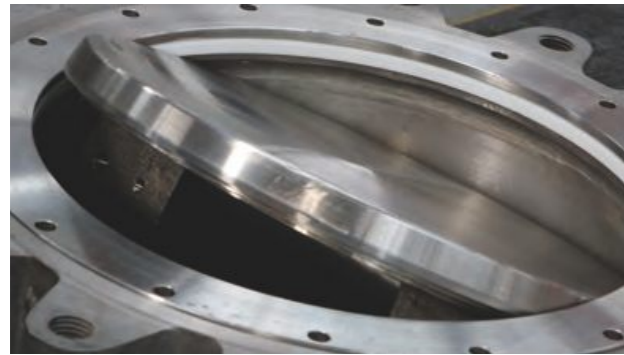
R	
W	
L	

⑥

COO	A216 Grade WCB
L20	A352 Grade LCB
L21	A352 Grade LCC
S00	A351 Grade CF8
S01	A351 Grade CF8M
S02	A351 Grade CF3
S03	A351 Grade CF3M

⑦

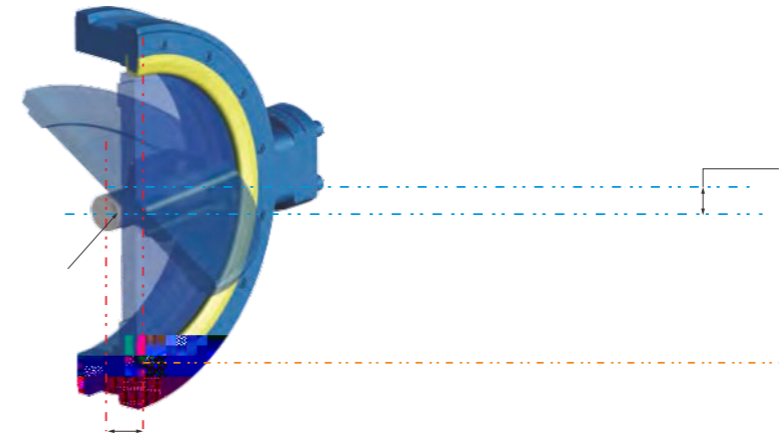
4	MONEL K500	1	B148 C95200	C	CF3M	1	EPDM	L	316L+PTFE	1	EPDM	AA	
5	17-4PH	2	CF8	D	CF3	2	NBR	N	INC625+PTFE	2	NBR	AB	PTFE
9	F51	3	CF8M	E	ASTM A890 6A	4	VITON	P	INC625+ 15%玻 TFM1700	4	VITON	AG	CPS 316L +9900 + 316L
D	F53	4	M30C	F	CW-12MW	5	PTFE	R	15%玻 TFM1700				
G	F55	5	ZQA19-4	G	CF8M+STL.21	C	F53+PTFE	U	316L+ 15%玻 TFM1700				
L	A479 431	6	WCB()	H	A995 5A	G	MONEL K500+PTFE	X	F53+ 15%玻 TFM1700				
Q	INCONEL 718	7	C95800	L	M35-1	H	F55+ 15%玻 TFM1700	Y	MNL400+15%玻 TFM1700				
R	A638 660	9	B148 C95500	M	M35-2	I	F51+RPTFE	Z	RPTFE				
T	F5	A	ASTM A995 4A	Q	CF8M+Ni	J	F51+PTFE						



2"~160" (DN50~4000)
ANSI 150LB-600LB (PN6-110)
NBR/EPDM/VITON/PTFE/RPTFE



-
-
-
- LNG
-
-
-
-



1. PTFE

PTFE

2.

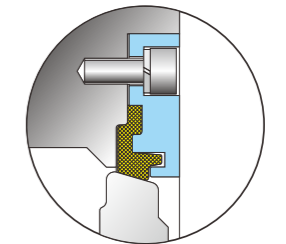
PTFE

PTFE
API607的

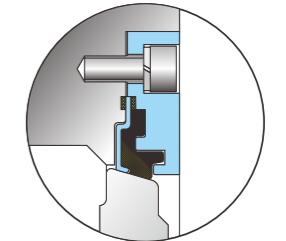
3.

API609

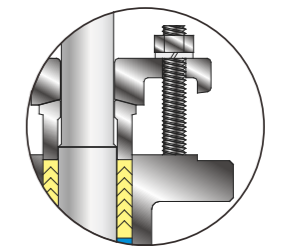
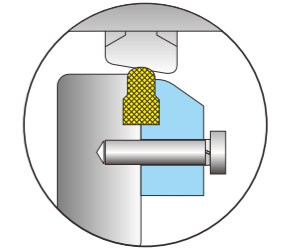
API5998



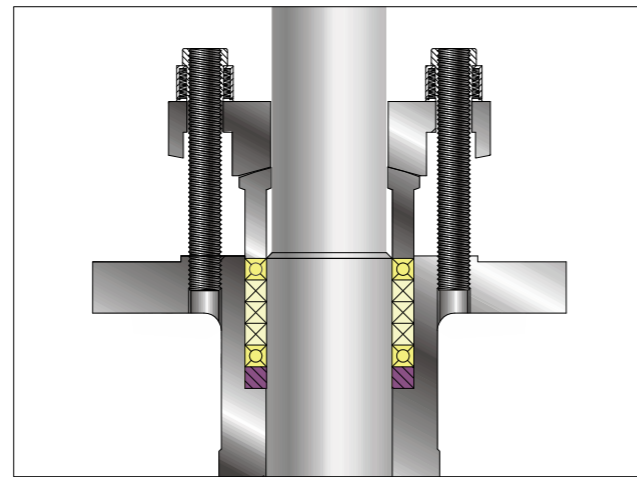
PTFE/RPTFE



PTFE

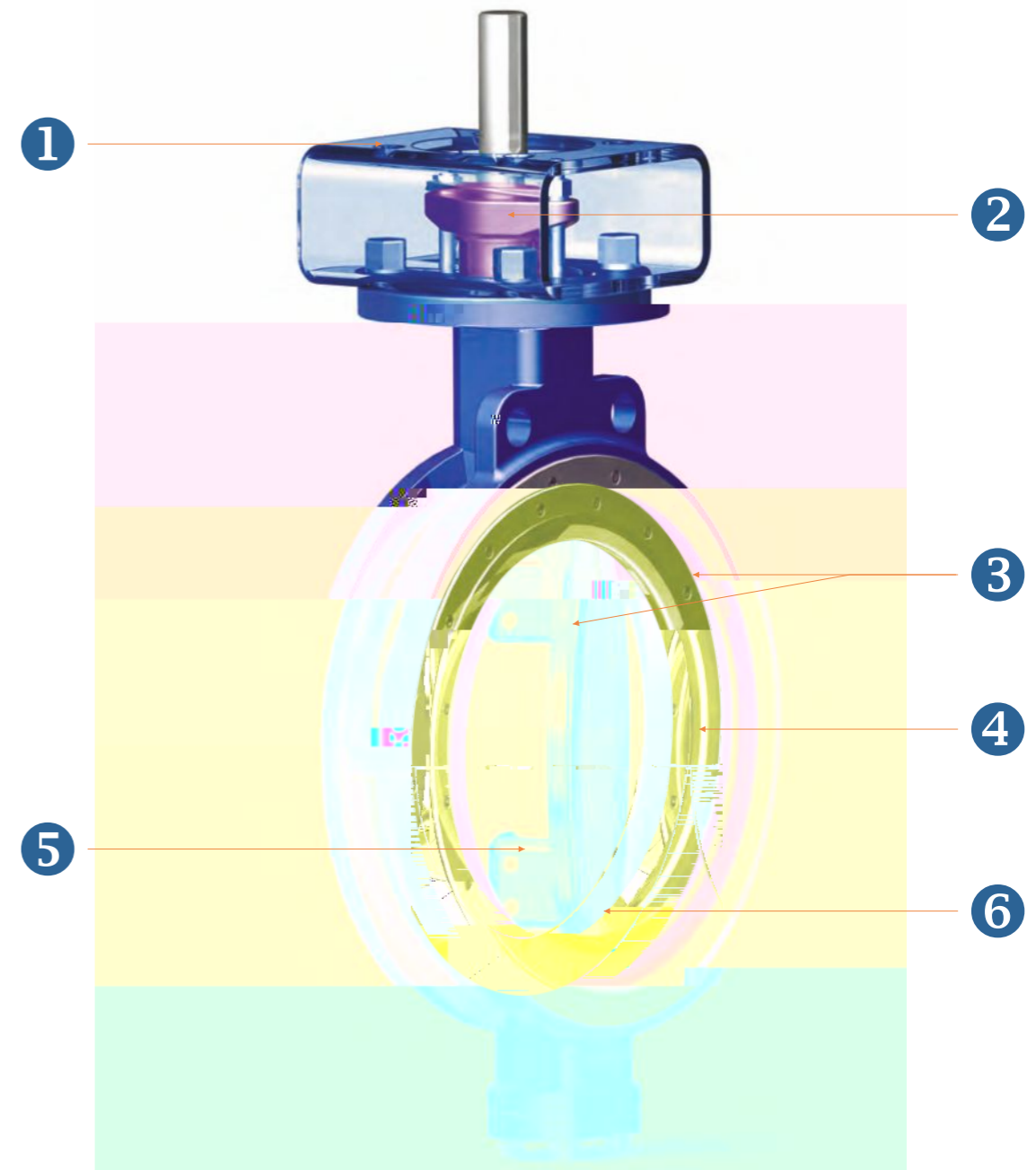
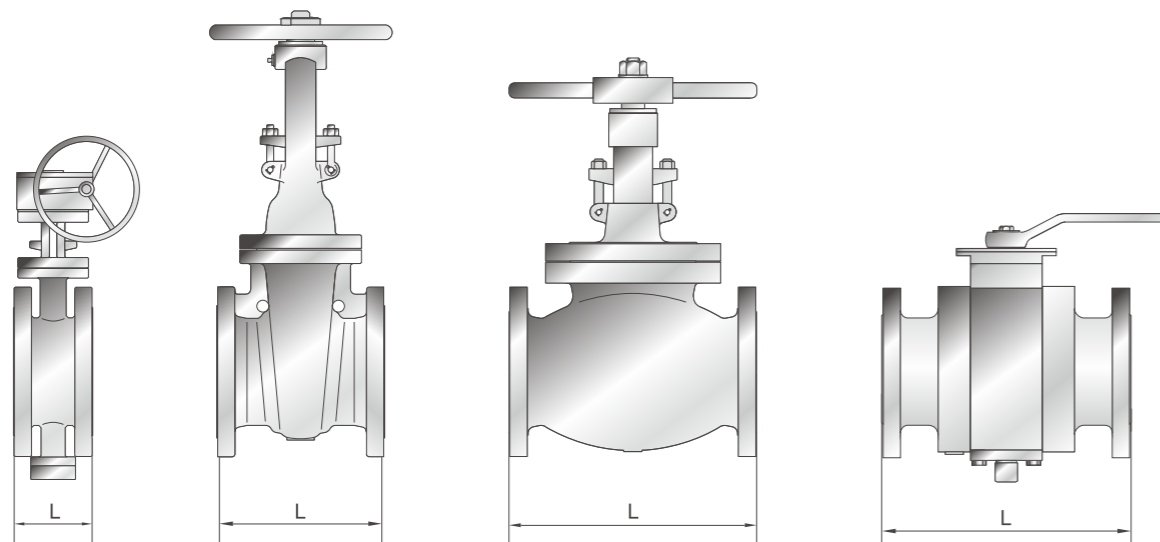


- a) 20PPM
- b) 填料
- c) Ra 0.4~Ra 0.8之
- d) 可 Ra 1.6以下,
- e) 根据用 Shell MSC77/312和TA-Luft



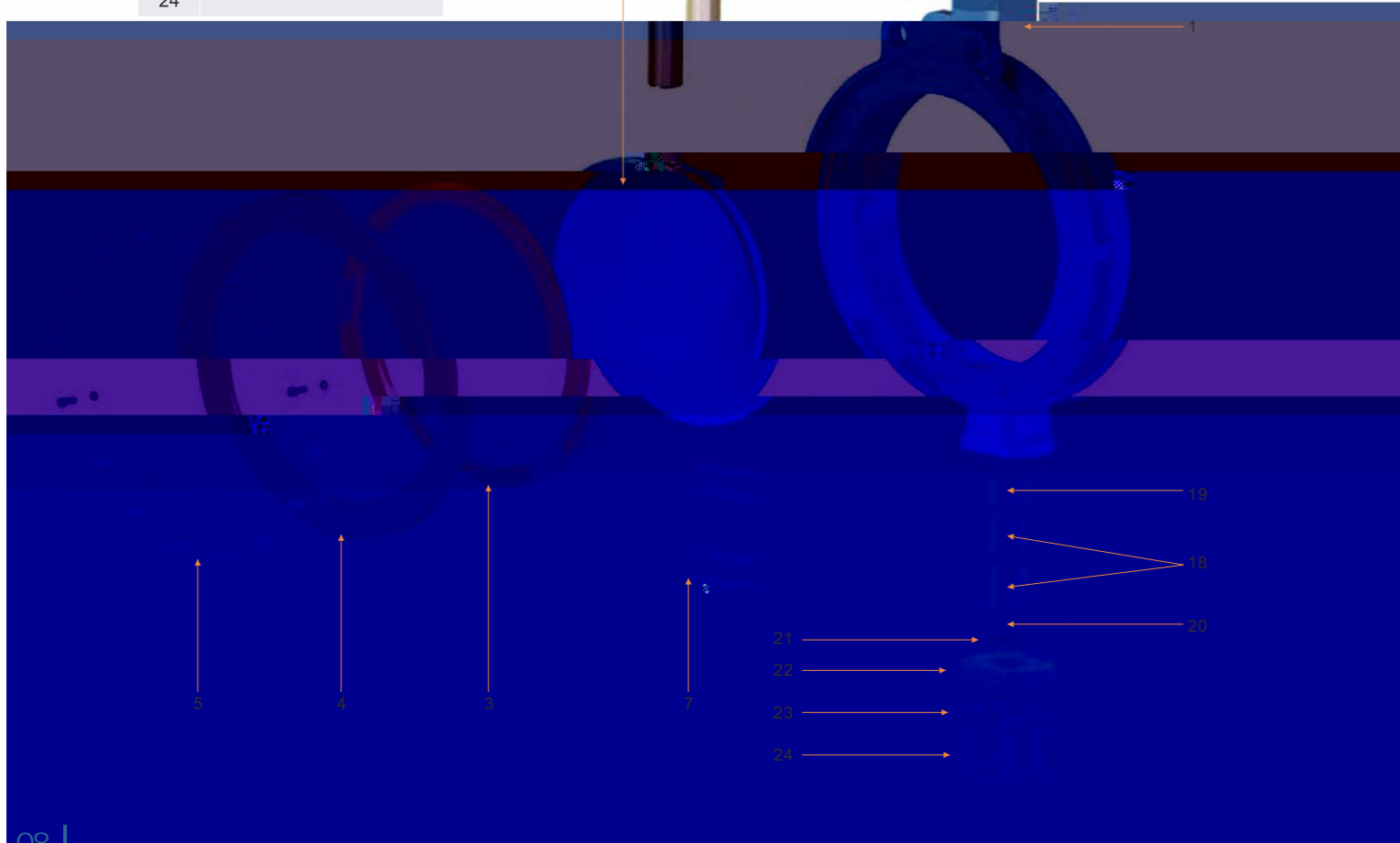
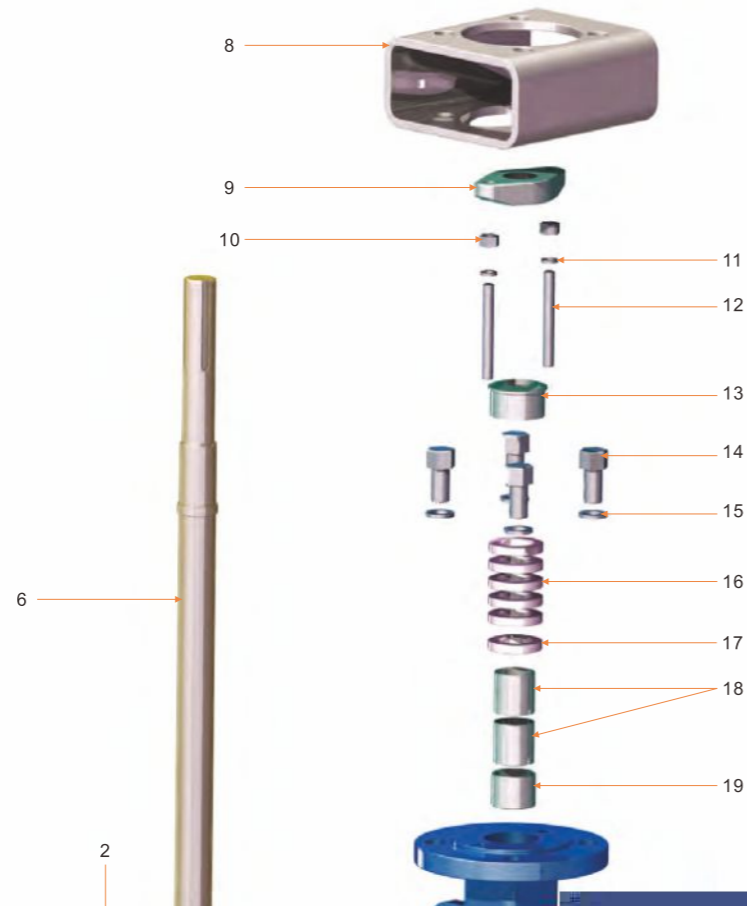
API609
6"

	150LB				300LB				600LB			
mm	140	267	406	394	140	403	445	403	210	559	559	559
kg	21	77	100	190	34	144	168	211	87	234	284	248

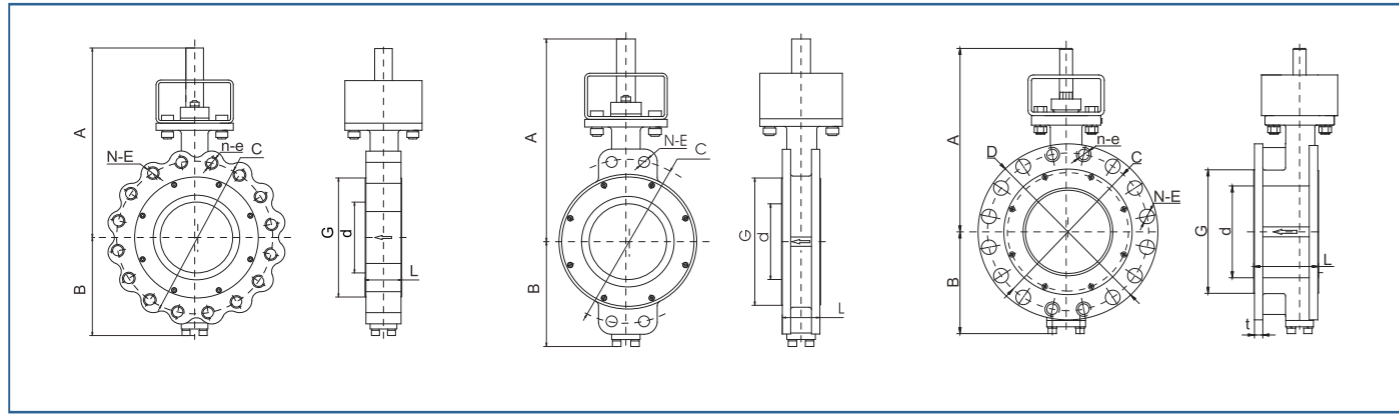


- 1 ISO 5211
- 2 V形圈填料, 也可
- 3
- 4 PTFE, RPTFE, 防火PTFE
- 5
- 6

1
2
3
4
5
6
7
8
9
10
11
12
13
14
15
16
17
18
19
20
21
22
23
24



1	ASTM A216-WCB	ASTM A351-CF8M
2	ASTM A351-CF8M	ASTM A351-CF8M
3	NBR/EPDM/PTFE	NBR/EPDM/PTFE
4	ASTM A105N	ASTM A182-F316
5	ASTM A193-B8(2)	
6	17-4PH	17-4PH
7	17-4PH	17-4PH
8		
9	ASTM A216-WCB	ASTM A351-CF8
10	ASTM A194-2H	ASTM A194-8
11		
12	ASTM A193-B7	ASTM A193-B8
13	ASTM A182-F316	ASTM A182-F316
14	ASTM A193-B7	ASTM A193-B8
15		
16	NBR/PTFE/	NBR/PTFE/
17	ASTM A182-F316	ASTM A182-F316
18	ASTM A182-F316+PTFE/	ASTM A182-F316+PTFE/
19	ASTM A182-F316	ASTM A182-F316
20	NBR/PTFE/	NBR/PTFE/
21	PTFE/316	PTFE/316
22	ASTM A105N	ASTM A182-F316
23		
24	ASTM A193-B7	ASTM A193-B8



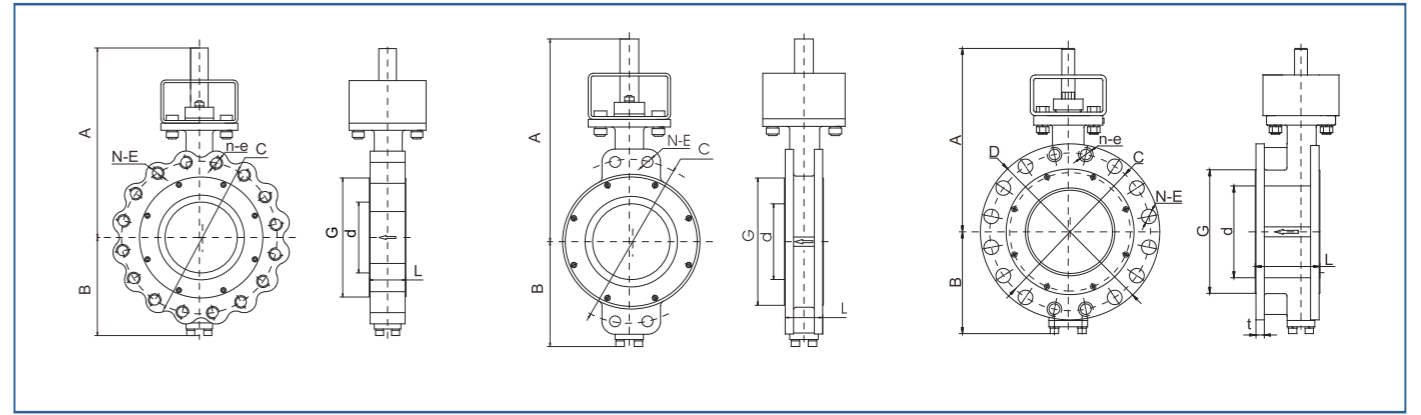
Class 150

in	mm	d		G		C		N	E	n	e	L		A		B		Kg	Lb
		mm	in	mm	in	mm	in					mm	in	mm	in	mm	in		
2	50	62	2.44	92	3.62	120.6	4.75	4	5/8-11	*	*	41	1.61	158	6.22	62.5	2.46	10	22
3	80	86	3.39	127	5.00	152.4	6.00	4	5/8-11	*	*	48	1.89	192	7.56	80	3.15	14	30.8
4	100	110	4.33	157.2	6.19	190.5	7.50	8	5/8-11	*	*	54	2.13	210	8.27	106	4.17	17	37.4
5	125	131	5.16	186	7.32	215.9	8.50	8	3/4-10	*	*	57	2.24	243	9.57	119	4.69	24	52.8
6	150	156	6.14	215.9	8.50	241.5	9.51	8	3/4-10	*	*	57	2.24	260	10.24	135	5.31	29	63.8
8	200	203	7.99	270	10.63	298.5	11.75	8	3/4-10	*	*	64	2.52	303	11.93	195	7.68	41	90.2
10	250	254	10.00	323.8	12.75	362	14.25	12	7/8-9	*	*	71	2.80	342	13.46	245	9.65	58	127.6
12	300	305	12.01	381	15.00	431.8	17.00	12	7/8-9	*	*	81	3.19	386	15.20	290	11.42	87	191.4
14	350	337	13.27	412.8	16.25	476.3	18.75	12	1-8	*	*	92	3.62	473	18.62	300	11.81	132	290.4
16	400	387	15.24	469.9	18.50	539.8	21.25	16	1-8	*	*	102	4.02	509	20.04	330	12.99	176	387.2
18	450	438	17.24	533.4	21.00	577.9	22.75	16	1-1/8-8	*	*	114	4.49	592	23.31	360	14.17	227	499.4
20	500	492	19.37	584.2	23.00	635	25.00	16	1-1/8-8	4	1-1/8-8	127	5.00	643	25.31	380	14.96	300	660
24	600	591	23.27	692.2	27.25	749.3	29.50	16	1-1/4-8	4	1-1/4-8	154	6.06	727	28.62	455	17.91	460	1012
28	700	692	27.24	762	30.00	795	31.30	36	3/4-10	4	3/4-10	165	6.50	812	31.97	535	21.06	629	1383.3
30	750	743	29.25	813	32.01	846	33.31	37	3/4-10	7	3/4-10	190	7.48	880	34.65	555	21.85	735	1617
32	800	781	30.75	864	34.02	900.1	35.44	40	3/4-10	8	3/4-10	190	7.48	935	36.81	610	24.02	900	1980
36	900	876	34.49	972	38.27	1010	39.76	39	7/8-9	5	7/8-9	203	7.99	1015	39.96	606	23.86	857	1885.4
40	1000	976	38.43	1080	42.52	1120.8	44.13	40	1-8	4	1-8	216	8.50	1037	40.83	684	26.93	1035	2277
48	1200	1201	47.28	1289	50.75	1335	52.56	40	1-1/8-8	4	1-1/8-8	254	10.00	1269	49.96	805	31.69	1849	4067.8

Class 150

in	mm	d		G		C		N	E	n	e	L		A		B		Kg	Lb
		mm	in	mm	in	mm	in					mm	in	mm	in	mm	in		
2	50	62	2.44	92.1	3.63	120.7	4.75	2	Ø19			35.5	1.40	158	6.22	62.5	2.46	9	19.8
3	80	86	3.39	127	5.00	152.4	6.00	2	Ø19			48	1.89	192	7.56	80	3.15	12	26.4
4	100	110	4.33	157.2	6.19	190.5	7.50	2	Ø19			54	2.13	210	8.27	100	3.94	15	33
5	125	131	5.16	185.7	7.31	215.9	8.50	2	Ø22			57	2.24	243	9.57	119	4.69	19	41.8
6	150	156	6.14	215.9	8.50	241.5	9.51	2	Ø22			57	2.24	260	10.24	135	5.31	26	57.2
8	200	203	7.99	269.9	10.63	298.5	11.75	2	Ø22			64	2.52	303	11.93	194	7.64	35	77
10	250	254	10.00	323.8	12.75	362	14.25	2	Ø25			71	2.80	342	13.46	243	9.57	47	103.4
12	300	305	12.01	381	15.00	431.8	17.00	2	Ø25			81	3.19	386	15.20	290	11.42	67	147.4
14	350	337	13.27	412.8	16.25	476.3	18.75	2	Ø29			92	3.62	479	18.86	300	11.81	110	242
16	400	387	15.24	469.9	18.50	539.8	21.25	4	Ø29			102	4.02	504	19.84	330	12.99	132	290.4
18	450	438	17.24	533	20.98	577.9	22.75	4	Ø32			114	4.49	587	23.11	360	14.17	186	409.2
20	500	492	19.37	584.2	23.00	635	25.00	4	1-1/8-8			127	5.00	638	25.12	380	14.96	257	565.4
24	600	591	23.27	692.2	27.25	749.3	29.50	4	1-1/4-8			154	6.06	727	28.62	455	17.91	370	814
28	700	692	27.24	762	30.00	795	31.30	4	Ø22			165	6.50	850	33.46	540	21.26	635	1397
								4	3/4-10										
30	750	743	29.25	813	32.01	846	33.31	8	3/4-10			190	7.48	879	34.61	560	22.05	510	1122
32	800	781	30.75	864	34.02	900	35.43	8	3/4-10			190	7.48	892	35.12	540	21.26	595	1309
36	900	876	34.49	972	38.27	1009.6	39.75	8	7/8-9			203	7.99	1035	40.75	625	24.61	890	1958
40	1000	976	38.43	1124	44.25	1200.2	44.13	4	1-1/2-8			216	8.50	1112	43.78	720	28.35	1054	2318.8
48	1200	1168	45.98	1289	50.75	1335	52.56	3	Ø32			254	10.00	1200	47.24	796	31.34	1849	4067.8
								5	1-1/8-8										

26"的法 ASME B16.47 B系列

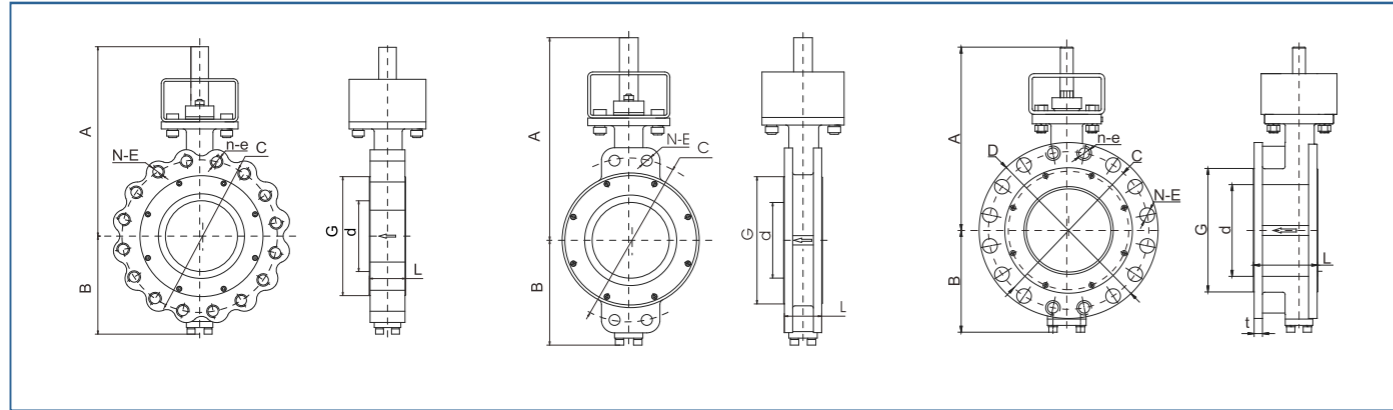


Class 150

in	mm	d		D		G		C		N	E	n	e	L		t		A		B		Kg	Lb
		mm	in	mm	in	mm	in	mm	in					mm	in	mm	in	mm	in	mm	in		
2	50	62	2.44	152	5.98	92	3.62	120.7	4.75	4	Ø19	*	*	106	4.17	17.5	0.69	158	6.22	76	2.99	15	33
3	80	86	3.39	190	7.48	127	5.00	152.4	6.00	4	Ø19	*	*	114	4.49	17.5	0.69	192	7.56	90	3.54	20	44
4	100	110	4.33	230	9.06	157.2	6.19	190.5	7.50	4	Ø19	4	5/8-11	127	5.00	22.3	0.88	211	8.31	115	4.53	22	48.4
5	125	131	5.16	255	10.04	185.7	7.31	215.9	8.50	4	Ø22	4	3/4-10	140	5.51	22.3	0.88	243	9.57	127.5	5.02	29	63.8
6	150	156	6.14	280	11.02	215.9	8.50	241.5	9.51	4	Ø22	4	3/4-10	140	5.51	23.4	0.92	260	10.24	135	5.31	43	94.6
8	200	203	7.99	343	13.50	269.9	10.63	298.5	11.75	4	Ø22	4	3/4-10	152	5.98	27	1.06	303	11.93	194	7.64	66	145.2
10	250	254	10.00	405	15.94	323.8	12.75	362	14.25	8	Ø25	4	7/8-9	165	6.50	28.6	1.13	342	13.46	342	13.46	81	178.2
12	300	305	12.01	485	19.09	381	15.00	431.8	17.00	8	Ø25	4	7/8-9	178	7.01	30.2	1.19	386	15.20	290	11.42	137	301.4
14	350	337	13.27	533	20.98	412.8	16.25	476.3	18.75	8	Ø29	4	1-8	190	7.48	33.4	1.31	479	18.86	300	11.81	180	396
16	400	387	15.24	597	23.50	469.9	18.50	539.8	21.25	12	Ø29	4	1-8	216	8.50	35	1.38	504	19.84	335	13.19	213	468.6
18	450	438	17.24	635	25.00	533.4	21.00	577.9	22.75	12	Ø32	4	1-1/8-8	222	8.74	38.1	1.50	587	23.11	360	14.17	285	627
20	500	492	19.37	698	27.48	584.2	23.00	635	25.00	16	Ø32	4	1-1/8-8	229	9.02	41.3	1.63	638	25.12	380	14.96	361	794.2
24	600	591	23.27	815	32.09	692.2	27.25	749.3	29.50	16	Ø35	4	1-1/4-8	267	10.51	46.1	1.81	722	28.43	455	17.91	500	1100
28	700	692	27.24	837	32.95	762	30.00	795.3	31.31	34	Ø22	6	3/4-10	292	11.50	44.5	1.75	816.5	32.15	484	19.06	551	1212
30	750	735	28.94	888	34.96	813	32.01	846.1	33.31	36	Ø22	8	3/4-10	318	12.52	43	1.69	875	34.49	514	20.24	897	1973
32	800	781	30.75	940	37.01	864	34.02	900	35.43	40	Ø22	8	3/4-10	318	12.52	44.6	1.76	885	34.84	535	21.06	700	1540
36	900	876	34.49	1055	41.54	972	38.27	1009.39	39.75	36	Ø25	8	7/8-9	330	12.99	50.9	2.00	994	39.13	606	23.86	1015	2233
40	1000	976	38.43	1175	46.26	1080	42.52	1120.8	44.13	36	Ø29	8	1-8	410	16.14	54	2.13	1006	39.61	675	26.57	1298	2855.6
48	1200	1224	48.19	1390	54.72	1289	50.75	1335	52.56	36	Ø32	8	1-1/8-8	470	18.50	63.6	2.50	1269	49.96	810	31.89	2502	5504.4

Class 300

in	mm	d		G		C		N	E	n	e	L		A		B		Kg	Lb
----	----	---	--	---	--	---	--	---	---	---	---	---	--	---	--	---	--	----	----

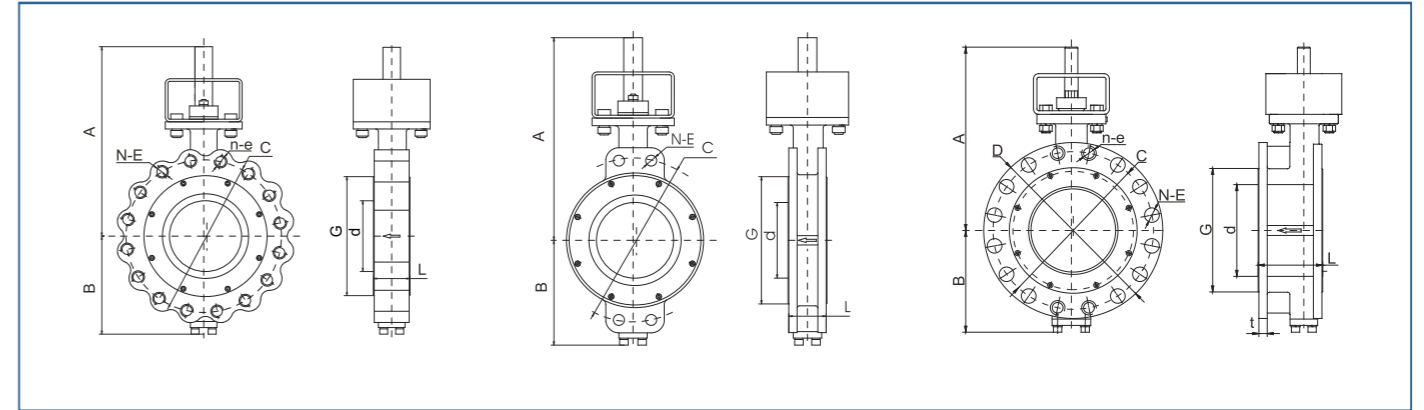


Class 300

		d		G		C		N	E	L		A		B		Kg	Lb
in	mm	mm	in	mm	in	mm	in			mm	in	mm	in	mm	in		
2	50	62	2.44	92	3.62	127	5.00	2	Ø19	35.5	1.40	151	5.94	80	3.15	6	13.2
3	80	86	3.39	127	5.00	168.1	6.62	2	Ø22	48	1.89	202	7.95	88	3.46	12	26.4
4	100	110	4.33	157.2	6.19	200	7.87	2	Ø22	54	2.13	215	8.46	105	4.13	11	24.2
5	125	131	5.16	185.7	7.31	235	9.25	2	Ø22	59	2.32	233	9.17	119	4.69	14	30.8
6	150	156	6.14	215.9	8.50	269.9	10.63	2	Ø22	59	2.32	265	10.43	135	5.31	27	59.4
8	200	203	7.99	269.9	10.63	330	12.99	4	Ø25	73	2.87	325	12.80	220	8.66	33	72.6
10	250	254	10.00	324	12.76	387.4	15.25	4	1-8	84	3.31	406	15.98	265	10.43	90	198
12	300	305	12.01	381	15.00	450.8	17.75	4	1-1/8-8	92	3.62	448	17.64	305	12.01	115	253
14	350	341	13.43	412.8	16.25	514.4	20.25	4	1-1/8-8	117	4.61	599	23.58	336	13.23	125	275
16	400	388	15.28	469.9	18.50	571.5	22.50	4	1-1/4-8	133	5.24	660	25.98	380	14.96	139	305.8
18	450	432	17.01	533.4	21.00	628.6	24.75	4	1-1/4-8	149	5.87	670	26.38	410	16.14	252	554.4
20	500	483	19.02	584.2	23.00	685.8	27.00	4	1-1/4-8	159	6.26	770	30.31	443	17.44	284	624.8
24	600	584	22.99	692	27.24	813	32.01	4	1-1/2-8	181	7.13	845	33.27	500	19.69	509	1120

Class 300

		d		D		G		C		N	E	n	e	L		t		A		B		Kg	Lb
in	mm	mm	in	mm	in	mm	in	mm	in					mm	in	mm	in	mm	in	mm	in		
2	50	62	2.44	165	6.50	92	3.62	127	5.00	4	Ø19	4	5/8-11	106	4.17	20.3	0.80	151	5.94	67.5	2.66	13	28.6
3	80	86	3.39	210	8.27	127	5.00	168.3	6.63	4	Ø22	4	3/4-10	114	4.49	26.6	1.05	202	7.95	88	3.46	17	37.4
4	100	110	4.33	255	10.04	157	6.18	200	7.87	4	Ø22	4	3/4-10	127	5.00	30	1.18	215	8.46	105	4.13	21	46.2
5	125	127	5.00	280	11.02	186	7.32	235	9.25	4	Ø22	4	3/4-10	140	5.51	35	1.38	233	9.17	128	5.04	28	61.6
6	150	156	6.14	320	12.60	215.9	8.50	269.9	10.63	8	Ø22	4	3/4-10	140	5.51	35	1.38	265	10.43	135	5.31	38	83.6
8	200	203	7.99	380	14.96	269.9	10.63	330.2	13.00	8	Ø25	4	7/8-9	152	5.98	39.7	1.56	325	12.80	220	8.66	63	138.6
10	250	254	10.00	445	17.52	323.8	12.75	387.4	15.25	12	Ø29	4	1-8	165	6.50	46.1	1.81	406	15.98	265	10.43	73	160.6
12	300	305	12.01	520	20.47	381	15.00	450.8	17.75	12	Ø32	4	1-1/8-8	178	7.01	49.3	1.94	448	17.64	305	12.01	108	237.6
14	350	337	13.27	585	23.03	412.8	16.25	514.4	20.25	16	Ø32	4	1-1/8-8	190	7.48	52.4	2.06	599	23.58	336	13.23	264	580.8
16	400	388	15.28	650	25.59	469.9	18.50	571.5	22.50	16	Ø35	4	1-1/4-8	216	8.50	55.6	2.19	660	25.98	380	14.96	335	737
18	450	432	17.01	710	27.95	533.4	21.00	628.6	24.75	20	Ø35	4	1-1/4-8	222	8.74	58.8	2.31	670	26.38	410	16.14	533	1172.6
20	500	487	19.17	775	30.51	584.2	23.00	685.8	27.00	20	Ø35	4	1-1/4-8	229	9.02	62	2.44	770	30.31	443	17.44	674	1482.8
24	600	584	22.99	915	27.24	692	27.24	813	32.01	20	Ø41	4	1-1/2-8	267	10.51	68.3	2.69	845	33.27	500	19.69	1121	2466.2



Class 600

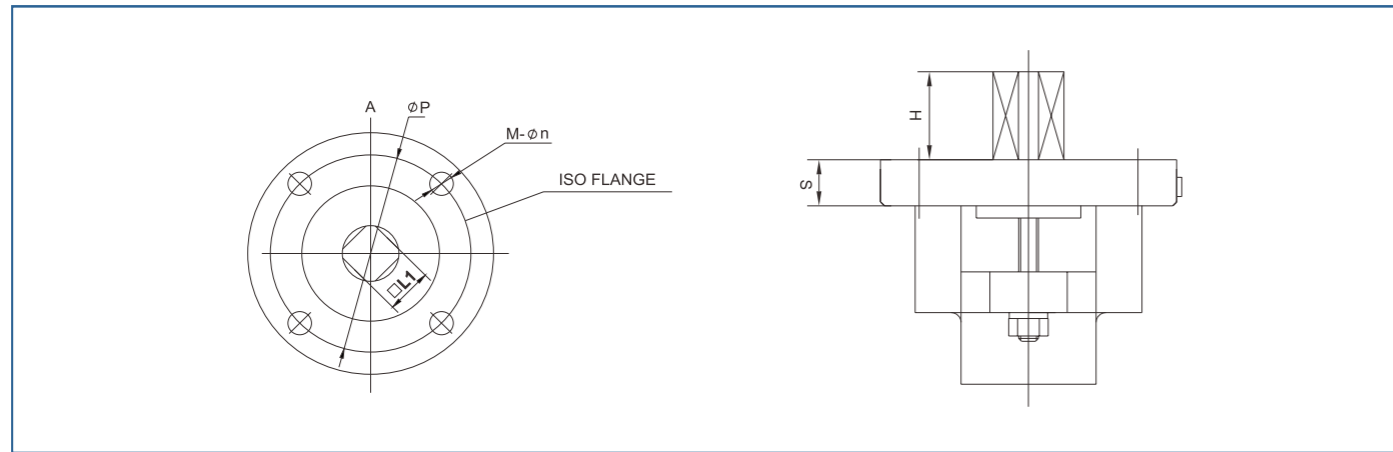
		d		G		C		N	E	n	e	L		A		B		Kg	Lb
in	mm	mm	in	mm	in	mm	in					mm	in	mm	in	mm	in		
3	80	88	3.46	127	5.00	168	6.61	8	3/4-10	*	*	54	2.13	230	9.06	135	5.31	14	30.8
4	100	102	4.02	157	6.18	216	8.50	8	7/8-9	*	*	64	2.52	263	10.35	165	6.50	35	77
6	150	152	5.98	216	8.50	292	11.50	12	1-8	2	1-8	78	3.07	375	14.76	210	8.27	80	176
8	200	200	7.87	270	10.63	349	13.74	8	1-1/8-8	4	1-1/8-8	102	4.02	433	17.05	265	10.43	120	264
10	250	248	9.76	324	12.76	432	17.01	12	1-1/4-8	4	1-1/4-8	117	4.61	562	22.13	310	12.20	200	440
12	300	298	11.73	377	14.84	489	19.25	16	1-1/4-8	4	1-1/4-8	140	5.51	565	22.24	345	13.58	240	528

Class 600

		d		G		C		N	E	n	e	L		A		B		Kg	Lb
in	mm	mm	in	mm	in	mm	in					mm	in	mm	in	mm	in		
3	80	88	3.46	127	5.00	168	6.61	4	3/4-10	54	2.13	230	9.06	135	5.31	11	24.2		
4	100	102	4.02	157	6.18	216	8.50	4	7/8-9	64	2.52	263	10.35	165	6.50	20	44		
6	150	152	5.98	216	8.50	292	11.50	4	1-8	78	3.07	375	14.76	210	8.27	50	110		
8	200	200	7.87	270	10.63	349	13.74	4	1-1/8-8	102	4.02	433	17.05	265	10.43	70	154		
10	250	248	9.76	324	12.76	432	17.01	4	1-1/4-8	117	4.61	562	22.13	310	12.20	112	246		
12	300	304	11.97	381	15.00	489	19.25	4	1-1/4-8	140	5.51	565	22.24	345	13.58	163	359		

Class 600

		d		D		G		C		N	E	n	e	L		t		A		B		Kg	Lb
in	mm	mm	in	mm	in	mm	in	mm	in					mm	in	mm	in	mm	in	mm	in		
3	80	88	3.46	210	8.27	127	5.00	152.4	6.00	4	Ø22	4	3/4-10	180	7.09	38.2	1.50	230	9.06	135	5.31	24	52.8
4	100	114	4.49	275	10.83	157.2	6.19	216	8.50	4	Ø25	4	7/8-9	190	7.48	44.5	1.75	263	10.35	165	6.50	49	107.8
6	150	152	5.98	355	13.98	215.9	8.50	292	11.50	4	Ø29	4	1-8	210	8.27	54.1	2.13	375	14.76	210	8.27	100	220
8	200	203	7.87	420	16.54	269.9	10.63	349	13.74	4	Ø32	4	1-1/8-8	230	9.06	55.6	2.19	433	17.05	265	10.43	126	277.2
10	250	248	9.76	210	20.08	323.8	12.75	432	17.01	5	Ø35	5	1-1/4-8	250	9.84	69.9	2.75	562	22.13	310	12.20	220	484
12	300	298.5	11.75	560	22.05	381	15.00	489	19.25	6	Ø35	6	1-1/4-8	270	10.63	73.1	2.88	565	22.24	345	13.58	305	671

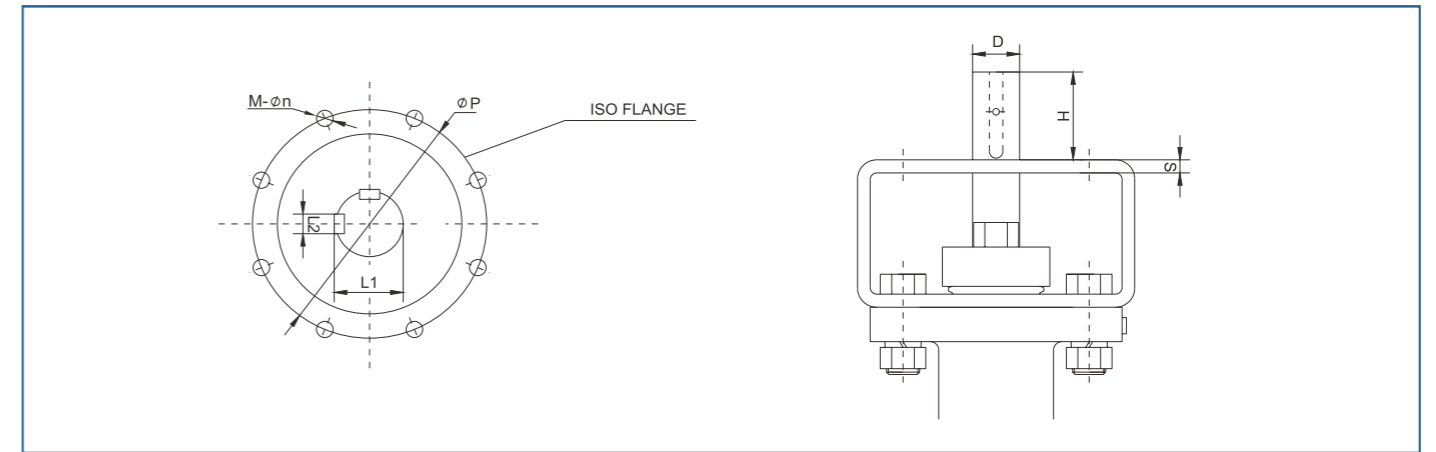


Class 150

in	mm	H		S		ISO	L1		P		M-φn
		mm	in	mm	in		mm	in	mm	in	
2	50	19	0.75	11	0.43	F07	11	0.43	70	2.76	4-Ø9.5
3	80	16.5	0.65	13	0.51	F10	14	0.55	102	4.02	4-Ø11
4	100	14.5	0.57	13	0.51	F10	17	0.67	102	4.02	4-Ø11
5	125	19	0.75	13	0.51	F10	19	0.75	102	4.02	4-Ø11
6	150	21	0.83	13	0.51	F10	19	0.75	102	4.02	4-Ø11
8	200	24	0.94	15	0.59	F12	22	0.87	125	4.92	4-Ø14
10	250	29	1.14	15	0.59	F12	27	1.06	125	4.92	4-Ø14
12	300	29	1.14	20	0.79	F14	27	1.06	140	5.51	4-Ø18

Class 300

in	mm	H		S		ISO	L1		P		M-φn
		mm	in	mm	in		mm	in	mm	in	
3	80	12.5	0.49	13	0.51	F10	14	0.55	102	4.02	4-Ø11
4	100	19	0.75	13	0.51	F10	17	0.67	102	4.02	4-Ø11
5	125	19	0.75	13	0.51	F10	19	0.75	102	4.02	4-Ø11
6	150	6.5	0.26	13	0.51	F10	19	0.75	102	4.02	4-Ø11
8	200	35	1.38	15	0.59	F12	27	1.06	125	4.92	4-Ø14
10	250	33	1.30	25	0.98	F16	32	1.26	165	6.50	4-Ø22
12	300	33	1.30	25	0.98	F16	36	1.42	165	6.50	4-Ø22



Class 150

in	mm	D		H		S		L1		L2		ISO	P		M-φn
		mm	in	mm	in	mm	in	mm	in	mm	in		mm	in	
14	350	35	1.38	63	2.48	10	0.39	38	1.50	10	0.39	F16	165	6.50	4-Ø22
16	400	40	1.57	61	2.40	10	0.39	43	1.69	12	0.47	F16	165	6.50	4-Ø22
18	450	46	1.81	76	2.99	10	0.39	49.5	1.95	14	0.55	F25	254	10.00	8-Ø18
20	500	50	1.97	77	3.03	12	0.47	53.5	2.11	14	0.55	F25	254	10.00	8-Ø18
24	600	60	2.36	93	3.66	16	0.63	64	2.52	18	0.71	F25	254	10.00	8-Ø18
28	700	75	2.95	112	4.41	12	0.47	79.5	3.13	20	0.79	F30	298	11.73	8-Ø22
30	750	80	3.15	117	4.61	12	0.47	85	3.35	22	0.87	F30	298	11.73	8-Ø22
32	800	85	3.35	114	4.49	12	0.47	90	3.54	22	0.87	F30	298	11.73	8-Ø22
36	900	90	3.54	107	4.21	16	0.63	95	3.74	25	0.98	F35	356	14.02	8-Ø33
40	1000	100	3.94	120	4.72	16	0.63	106	4.17	28	1.10	F35	356	14.02	8-Ø33
48	1200	125	4.92	112	4.41	20	0.79	132	5.20	32	1.26	F40	406	15.98	8-Ø39

Class 300

in	mm	D		H		S		L1		L2		ISO	P		M-φn
		mm	in	mm	in	mm	in	mm	in	mm	in		mm	in	
14	350	50	1.97	100	3.94	12	0.47	54	2.11	14	0.55	F25	254	10.00	8-Ø18
16	400	55	2.17	100	3.94	12	0.47	59	2.32	16	0.63	F25	254	10.00	8-Ø18
18	450	60	2.36	101	3.98	16	0.63	64	2.52	18	0.71	F25	254	10.00	8-Ø18
20	500	70	2.76	104	4.09	30	1.18	75	2.93	20	0.79	F30	298	11.73	8-Ø22
24	600	80	3.15	105	4.13	35	1.38	85	3.35	22	0.87	F30	298	11.73	8-Ø22

Class 600

in	mm	D		H		S		L1		L2		ISO	P		M-φn
		mm	in	mm	in	mm	in	mm	in	mm	in				
3	80	22	0.87	30	1.18	8	0.31	28	1.10	8	0.31	F10	102	4.02	4-Ø11
4	100	22	0.87	50	1.97	8	0.31	25	0.96	6	0.24	F10	102	4.02	4-Ø11
6	150	32	1.26	46	1.81	10	0.39	35	1.38	10	0.39	F12	125	4.92	4-Ø14
8	200	40	1.57	47	1.85	12	0.47	43	1.69	12	0.47	F16	165	6.50	4-Ø22
10	250	50	1.97	82	3.23	16	0.63	54	2.11	14	0.55	F16	165	6.50	4-Ø22
12	300	60	2.36	80	3.15	16	0.63	64	2.52	18	0.71	F30	298	11.73	8-Ø18

Class 150

inch	mm	10°	20°	30°	40°	50°	60°	70°	80°	90°
3	80	3	13	21	30	47	68	96	137	182
4	100	7	30	49	69	110	159	225	319	425
6	150	17	75	124	176	278	402	571	809	1078
8	200	33	144	237	336	531	768	1092	1545	2060
10	250	62	272	446	632	1001	1447	2056	2910	3880
12	300	89	388	637	903	1429	2066	2936	4155	5540
14	350	113	496	814	1154	1827	2641	3752	5310	7080
16	400	136	595	978	1386	2193	3171	4505	6375	8500
18	450	183	799	1313	1861	2946	4260	6053	8565	11420
20	500	253	1106	1817	2575	4076	5893	8374	11850	15800
24	600	355	1554	2553	3619	5728	8281	11766	16650	22200
28	700	472	2065	3393	4809	7611	11004	15635	22125	29500
30	750	621	2717	4464	6328	10016	14480	20575	29115	38820
32	800	691	3024	4968	7042	11146	16114	22896	32400	43200
36	900	845	3696	6072	8606	13622	19694	27984	39600	52800
40	1000	1098	4802	7889	11182	17699	25588	36358	51450	68600
42	1050	1408	6160	10120	14344	22704	32824	46640	66000	88000
48	1200	1728	7560	12420	17604	27864	40284	57240	81000	108000

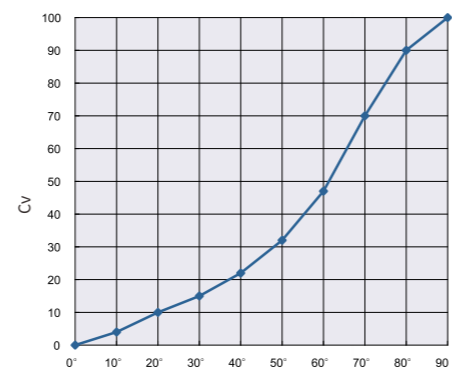
Class 300

inch	mm	10°	20°	30°	40°	50°	60°	70°	80°	90°
3	80	6	16	24	36	52	76	113	146	162
4	100	15	37	55	80	117	172	256	329	365
6	150	39	98	147	215	313	460	685	880	978
8	200	65	163	245	359	522	766	1141	1467	1630
10	250	124	310	465	682	992	1457	2170	2790	3100
12	300	182	456	684	1003	1459	2143	3192	4104	4560
14	350	205	512	768	1126	1638	2406	3584	4608	5120
16	400	269	672	1008	1478	2150	3158	4704	6048	6720
18	450	352	880	1320	1936	2816	4136	6160	7920	8800
20	500	460	1150	1725	2530	3680	5405	8050	10350	11500
24	600	647	1618	2427	3560	5178	7605	11326	14562	16180
26	650	936	2340	3510	5148	7488	10998	16380	21060	23400
28	700	1172	2930	4395	6446	9376	13771	20510	26370	29300
30	750	1564	3910	5865	8602	12512	18377	27370	35190	39100
32	800	1852	4630	6945	10186	14816	21761	32410	41670	46300
36	900	1852	4630	6945	10186	14816	21761	32410	41670	46300
40	1000	2064	5160	7740	11352	16512	24252	36120	46440	51600
42	1050	2616	6540	9810	14388	20928	30738	45780	58860	65400
48	1200	3344	8360	12540	18392	26752	39292	58520	75240	83600

Class 600

inch	mm	10°	20°	30°	40°	50°	60°	70°	80°	90°
3	80	6	16	23	34	50	73	109	140	156
4	100	10	26	39	57	82	121	180	231	257
6	150	29	72	108	159	231	340	506	651	723
8	200	53	132	199	291	424	622	927	1192	1324
10	250	81	201	302	443	644	946	1409	1812	2013
12	300	112	279	418	614	892	1311	1952	2510	2789
14	350	159	399	598	877	1276	1873	2790	3587	3986
16	400	201	502	753	1105	1607	2361	3516	4521	5023
18	450	225	562	843	1237	1799	2642	3935	5059	5621
20	500	317	793	1190	1745	2538	3727	5551	7137	7930
24	600	461	1152	1728	2534	3686	5414	8064	10368	11520

Cv curve



1) 定
CV: 温度 15°C
KV: 温度 15°C
CV=1.55KV

1PSI / 小
1BAR

Class 150

TBT PTFE

Size		100psi (0.7Mpa)		150psi (1.0Mpa)		200psi (1.4Mpa)		285psi (1.97Mpa)	
NPS	DN	N.M	Ft - lbs	N.M	Ft - lbs	N.M	Ft - lbs	N.M	Ft - lbs
2	50	8	6	9	7	11	8	13	10
2-1/2	65	14	10	16	11	18	13	21	16
3	80	21	16	25	19	31	23	40	29
4	100	36	26	44	32	55	41	71	53
5	125	52	38	62	45	74	55	93	69
6	150	68	50	82	60	100	74	128	94
8	200	163	121	206	152	263	194	349	258
10	250	296	219	378	279	487	359	650	480
12	300	442	326	565	417	730	539	976	721
14	350	569	420	725	535	932	688	1243	917
16	400	633	467	775	572	964	712	1248	921
18	450	1005	742	1255	926	1588	1172	2088	1541
20	500	1196	883	1451	1071	1791	1322	2302	1699
22	550	1543	1139	1870	1380	2305	1701	2958	2183
24	600	2474	1826	3104	2291	3945	2911	5205	3842
26	650	2612	1928	3155	2329	3880	2864	4967	3666
28	700	3188	2353	3826	2824	4677	3452	5953	4393
30	750	3913	2888	4724	3486	5805	4284	7427	5481
32	800	4706	3473	5643	4165	6892	5087	8765	6469
34	850	5595	4129	6701	4946	8175	6034	10387	7667
36	900	6157	4544	7391	5455	9036	6669	11504	8490
40	1000	7973	5885	9556	7053	11667	8611	14834	10948
42	1050	8830	6517	10622	7840	13012	9603	16596	12249
48	1200	13473	9944	16152	11921	19724	14557	25081	18512

Class 300

TBT PTFE

Size		220psi (1.5Mpa)		290psi (2.0Mpa)		435psi (3.0Mpa)		580psi (4.0Mpa)		740psi (5.1Mpa)	
NPS	DN	N.M	Ft - lbs	N.M	Ft - lbs	N.M	Ft - lbs	N.M	Ft - lbs	N.M	Ft - lbs
2	50	11	8	13	10	17	13	21	15	25	19
2-1/2	65	18	14	21	16	27	20	32	24	39	29
3	80	33	24	40	29	54	40	69	51	85	63
4	100	58	43	71	53	99	73	126	93	157	116
5	125	71	53	87	64	119	88	151	111	186	138
6	150	104	77	127	94	173	129	219	162	269	200
8	200	299	220	373	275	521	387	669	494	832	618
10	250	584	431	730	539	1020	758	1311	968	1631	1212
12	300	639	471	774	571	1045	776	1315	971	1613	1198
14	350	905	668	1088	803	1454	1080	1820	1343	2222	1651
16	400	1285	948	1553	1147	2091	1554	2629	1941	3221	2393
18	450	1733	1279	2099	1549	2830	2103	3562	2629	4366	3244
20	500	2424	1789	2923	2158	3921	2913	4919	3630	6016	4470
22	550	3093	2282	3733	2755	5014	3725	6295	4646	7704	5724
24	600	3884	2867	4694	3464	6312	4690	7930	5853	9710	7214

Class 600

TBT PTFE

Size		580psi (4.0Mpa)		725psi (5.0Mpa)		870psi (6.0Mpa)		1160psi (8.0Mpa)		1508psi (10.0Mpa)	
NPS	DN	N.M	Ft - lbs	N.M	Ft - lbs	N.M	Ft - lbs	N.M	Ft - lbs	N.M	Ft - lbs
3	80	56	42	65	48	75	55	93	69	112	82
4	100	98	72	116	85	133	98	168	124	204	150
5	125	225	166	261	193	297	219	369	272	441	325
6	150	278	205	326	241	375	277	472	348	569	420
8	200	589	435	691	510	794	586	1000	738	1205	889
10	250	1194	881	1391	1027	1589	1173	1983	1464	2378	1755
12	300	1959	1446	2294	1693	2628	1940	3297	2433	3965	2927
14	350	2541	1876	2987	2205	3433	2534	4325	3192	5216	3850
16	400	3272	2415	3841	2835	4410	3255	5547	4094	6685	4934
18	450	4689	3461	5506	4064	6323	4667	7957	5873	9591	7078
20	500	5976	4411	7068	5217	8160	6023	10344	7635	12528	9247
24	600	9684	7148	11501	8489	13318	9830	16952	12512	20586	15194

1.3~1.5

Class 150

TBF系列

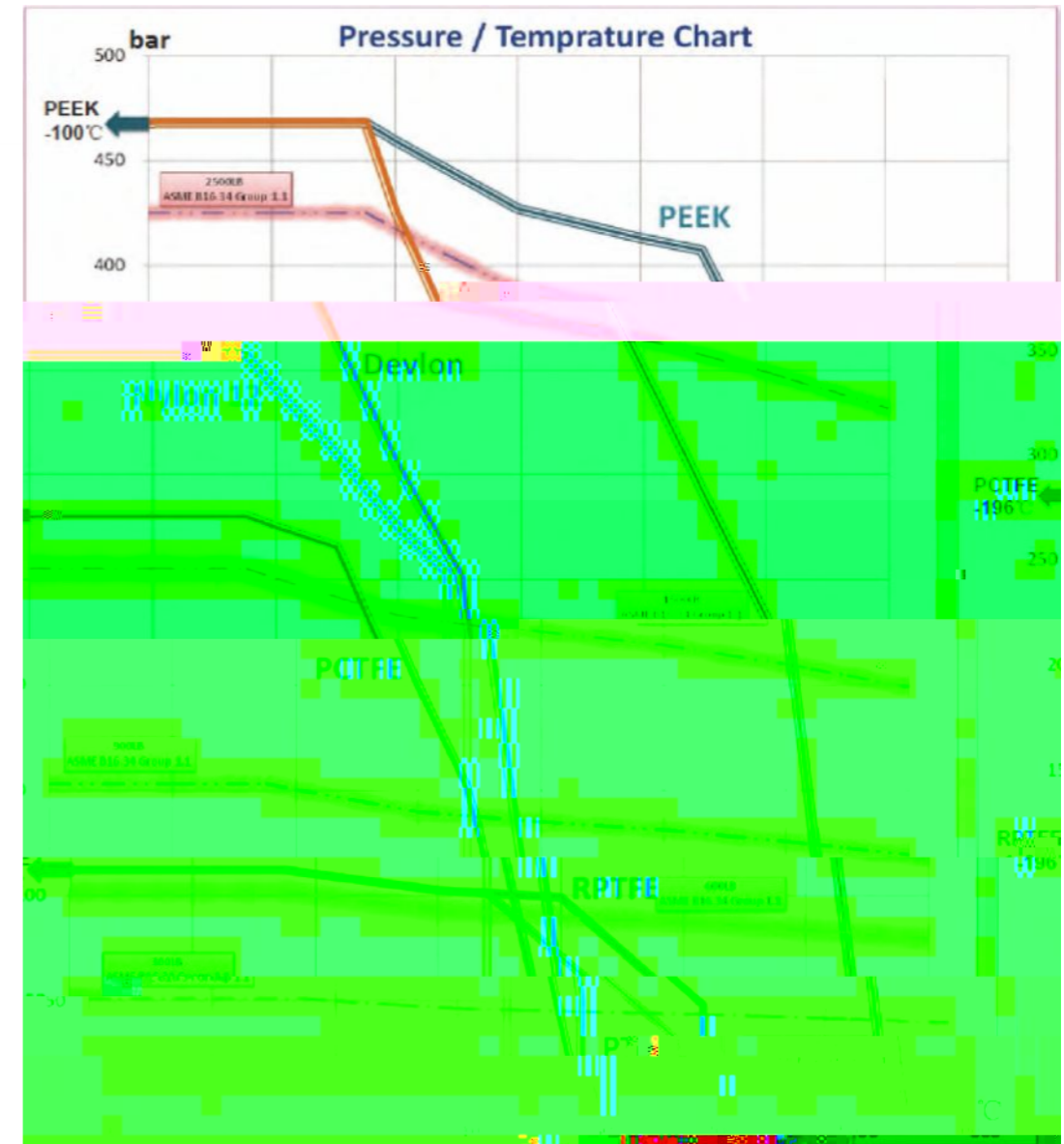
Size		100psi (0.7Mpa)		150psi (1.0Mpa)		200psi (1.4Mpa)		285psi (1.97Mpa)	
NPS	DN	N.M	Ft - lbs	N.M	Ft - lbs	N.M	Ft - lbs	N.M	Ft - lbs
2	50	11	8	12	9	14	10	16	12
2-1/2	65	20	15	22	16	24	18	27	20
3	80	27	20	31	23	37	27	46	34
4	100	43	32	51	38	62	46	79	58
5	125	65	48	75	55	87	64	106	78
6	150	80	59	94	69	112	83	140	103
8	200	183	135	226	167	283	209	369	272
10	250	326	240	407	301	516	381	680	502
12	300	477	352	600	443	765	565	1012	747
14	350	612	452	768	567	975	720	1286	949
16	400	689	509	831	614	1021	753	1305	963
18	450	1079	797	1329	981	1662	1227	2162	1596
20	500	1309	966	1564	1155	1905	1406	2415	1782
22	550	1680	1240	2007	1481	2442	1802	3095	2284
24	600	2636	1946	3267	2411	4107	3032	5368	3962
26	650	2858	2110	3402	2511	4126	3046	5213	3848
28	700	3472	2563	4110	3034	4961	3662	6237	4603
30	750	4236	3126	5047	3725	6128	4523	7750	5720
32	800	5199	3837	6136	4529	7385	5451	9259	6833
34	850	6148	4537	7254	5354	8728	6442	10940	8075
36	900	6710	4952	7944	5863	9589	7077	12057	8898
40	1000	8644	6380	10227	7549	12339	9107	15505	11444
42	1050	9397	6936	11189	8258	13579	10022	17163	12667
48	1200	14278	10538	16957	12515	20528	15151	25886	19106

Class 300

TBF系列

Size		220psi (1.5Mpa)		290psi (2.0Mpa)		435psi (3.0Mpa)		580psi (4.0Mpa)		740psi (5.1Mpa)	
NPS	DN	N.M	Ft - lbs	N.M	Ft - lbs	N.M	Ft - lbs	N.M	Ft - lbs	N.M	Ft - lbs
2	50	14	10	16	12	20	15	24	18	28	21
2-1/2	65	24	18	27	20	33	24	38	28	45	33
3	80	39	29	46	34	60	44	75	55	91	67
4	100	65	48	79	58	106	78	134	99	164	121
5	125	79	58	95	70	127	94	159	117	194	143
6	150	116	86	139	103	185	137	231	171	282	208
8	200	324	239	398	294	546	403	695	513	857	633
10	250	633	467	778	574	1069	789	1360	1003	1679	1239
12	300	710	524	845	624	1116	823	1386	1023	1684	1243
14	350	1018	751	1201	886	1567	1156	1933	1426	2335	1723
16	400	1421	1049	1690	1247	2228	1644	2766	2042	3358	2478
18	450	1896	1399	2262	1669	2993	2209	3724	2749	4529	3342
20	500	2671	1971	3170	2340	4168	3076	5165	3812	6263	4622
22	550	3375	2491	4016	2964	5297	3909	6578	4855	7987	5895
24	600	4208	3106	5017	3703	6635	4897	8253	6091	10033	7405

1.3~1.5





2014

2,295



2006
2013

230,000
140,061



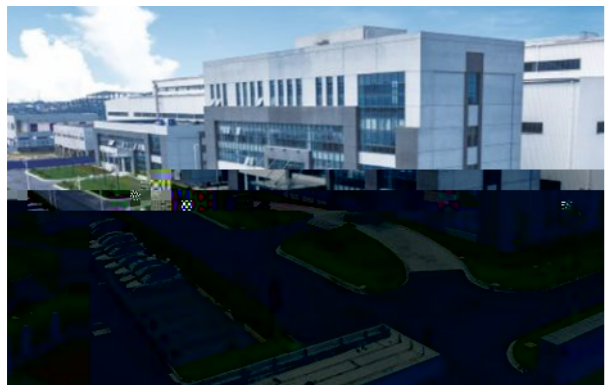
2008
2015

112,500
98,000



2008

40,000
20,000



2017

3,000
30,000



2020

30,000平方米
19,000平方米(一)
7,000平方米(二)

